

Xstar LED-LV Grille



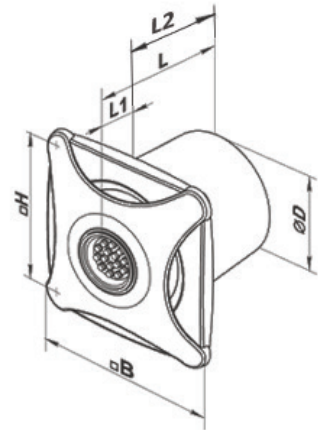
Xstar LED-LV Grille

Application

- For exhaust ventilation.
- For 12V low-voltage connection to 220V/50Hz power mains.

Design

- The casing and the impeller are made of high-quality durable ABS plastic, UV resistant.
- A 5W LED lamp is integrated into the grille casing.
- Supplied with Electronic Transformer.



ESC Code	B	H	L	L1	L2	Flange (OD)
VXGLED100LV	152	152	131	36	95	100
VXGLED125LV	177	177	143	42	100	125
VXGLED150LV	205	205	160	42	115	150

Gravity Grille



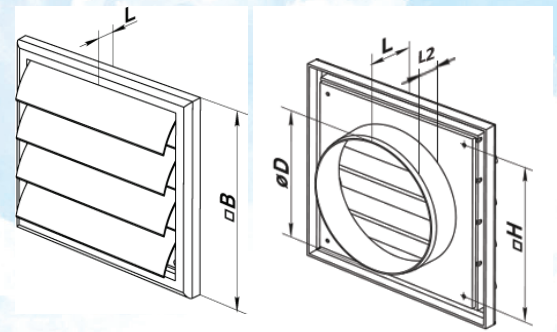
Gravity Grille

Application

- For exhaust ventilation.
- Wall mount.
- External mounting.

Design

- Made of quality durable plastic.
- Two piece structure.



ESC Code	B	H	L	L1	L2	Flange (OD)
VGG100	140	140	15	42	32	100
VGG125	174	174	15	47	32	125
VGG150	174	174	15	47	32	150

Weather Cowl



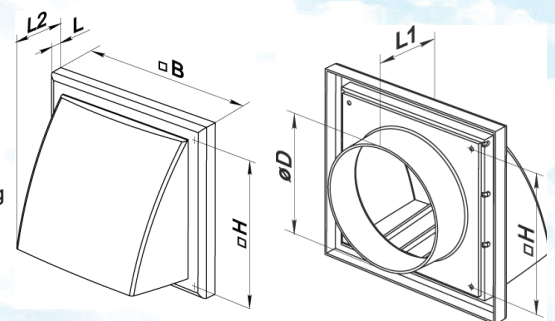
Weather Cowl

Application

- For exhaust ventilation.
- Wall mount.

Design

- Weather cowl equipped with protecting grille to prevent birds and rodents.
- Reduces back draft air and rain penetration.



ESC Code	B	H	L	L1	L2	Flange (OD)
VWC100	154	110	15	45	87	100
VWC125	186	142	15	45	101	125
VWC150	186	142	15	45	101	150